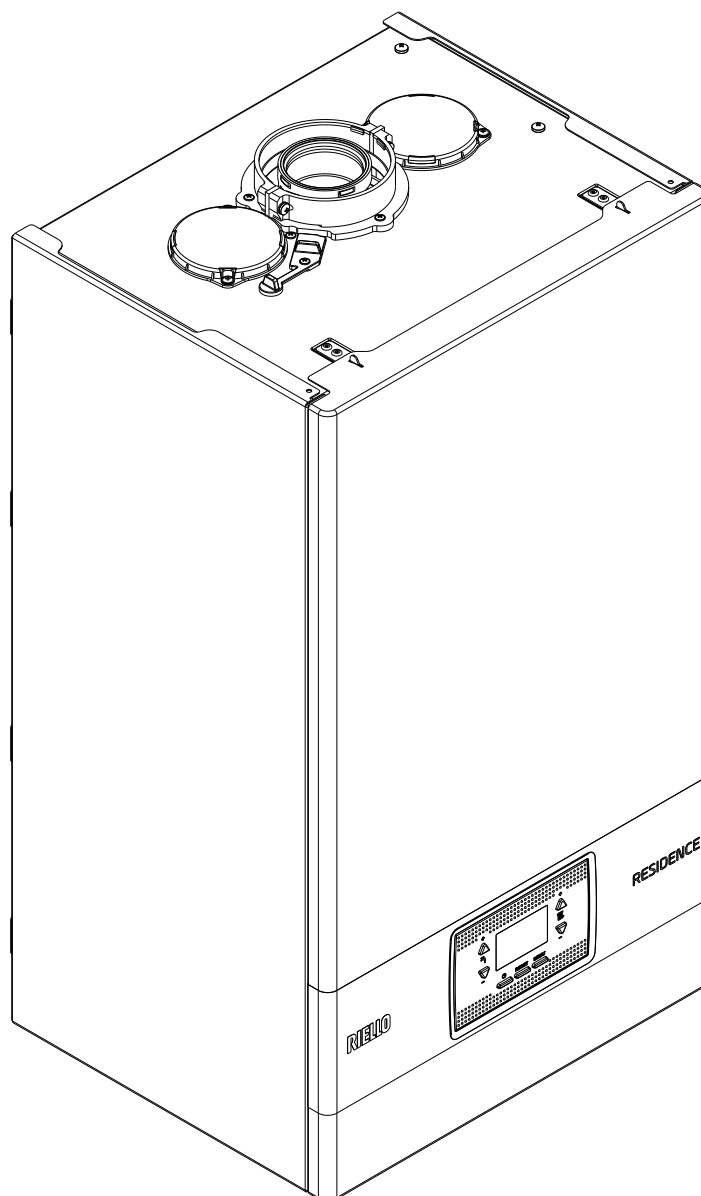
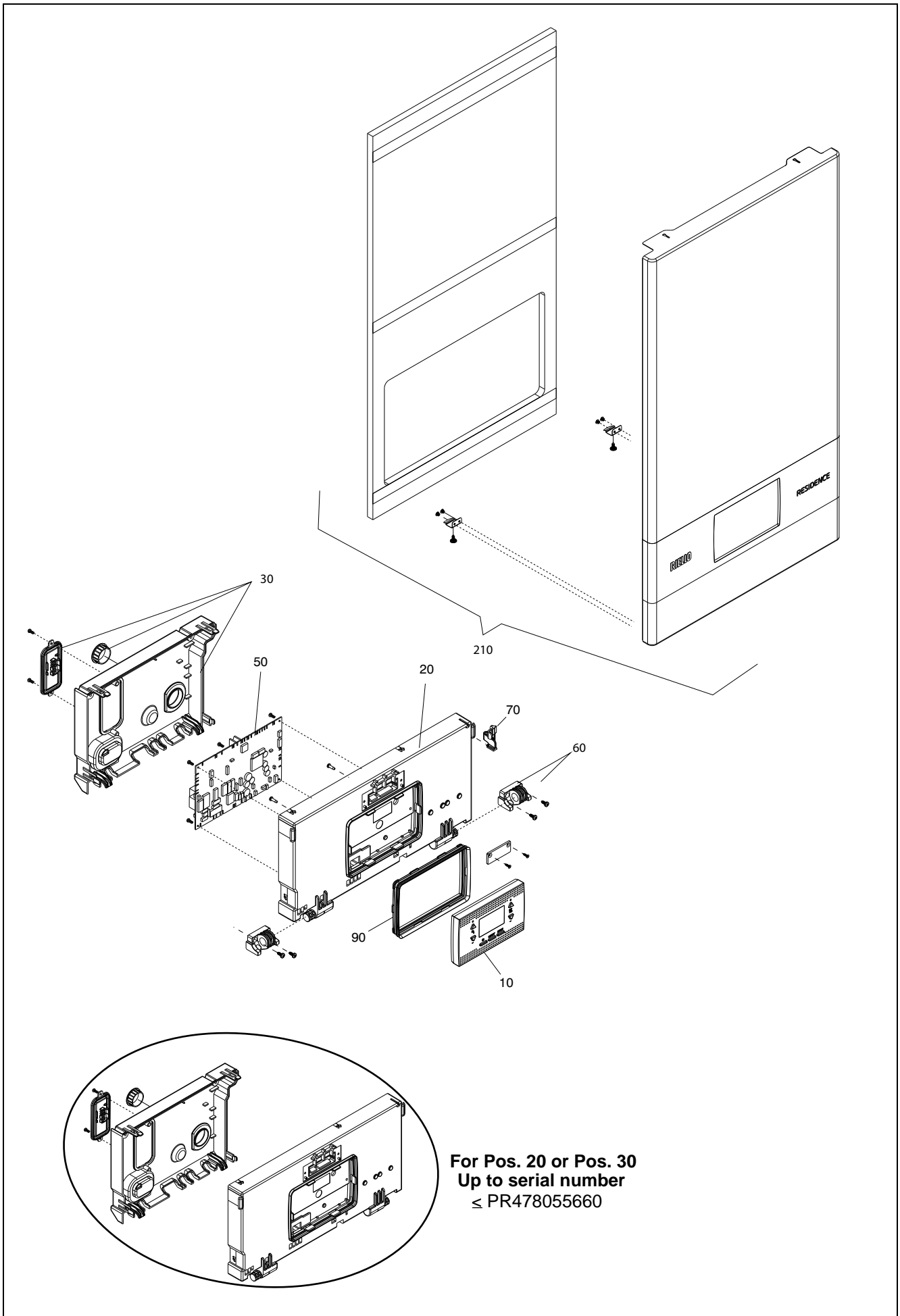


## Wall hung boilers

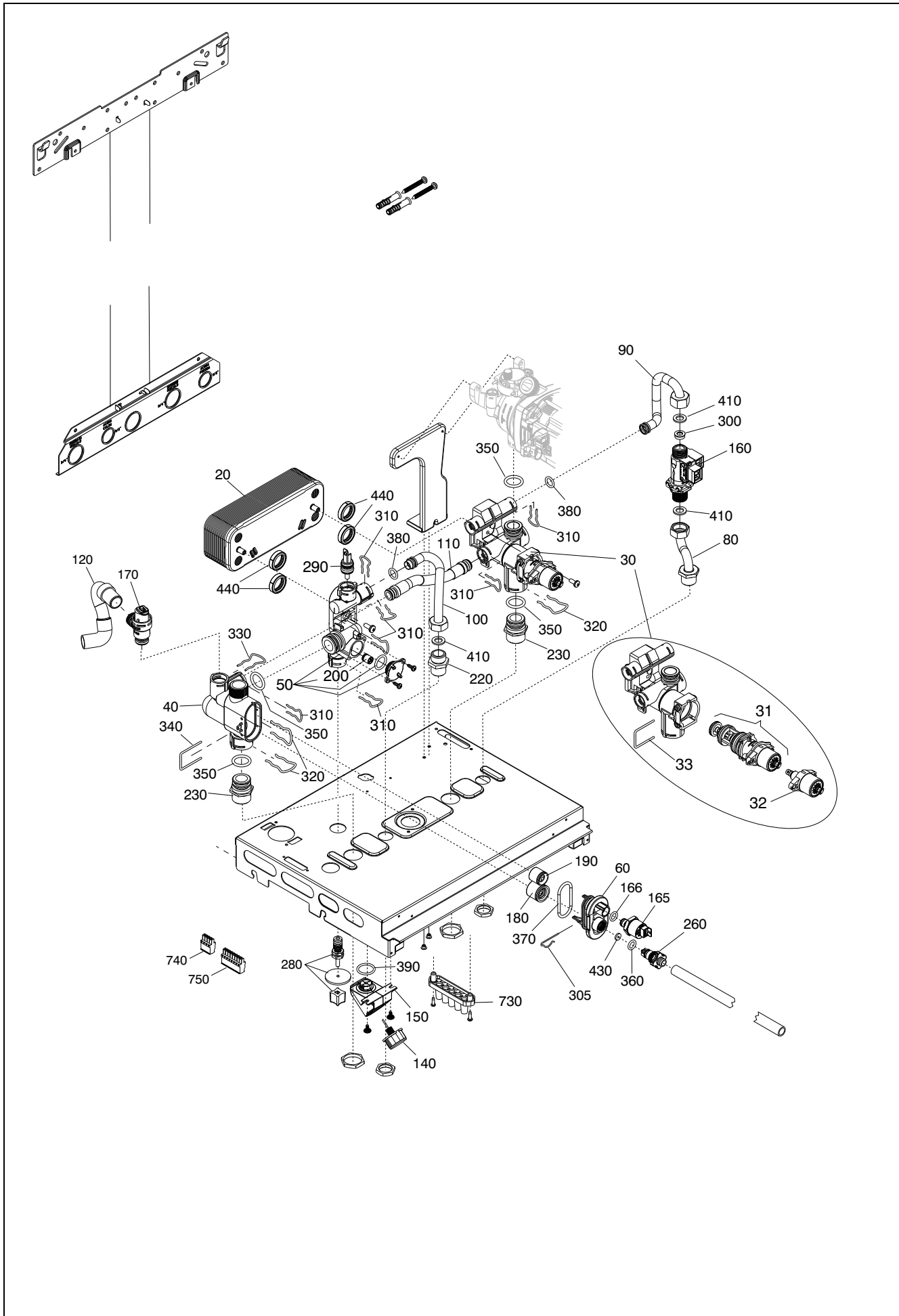
# RESIDENCE



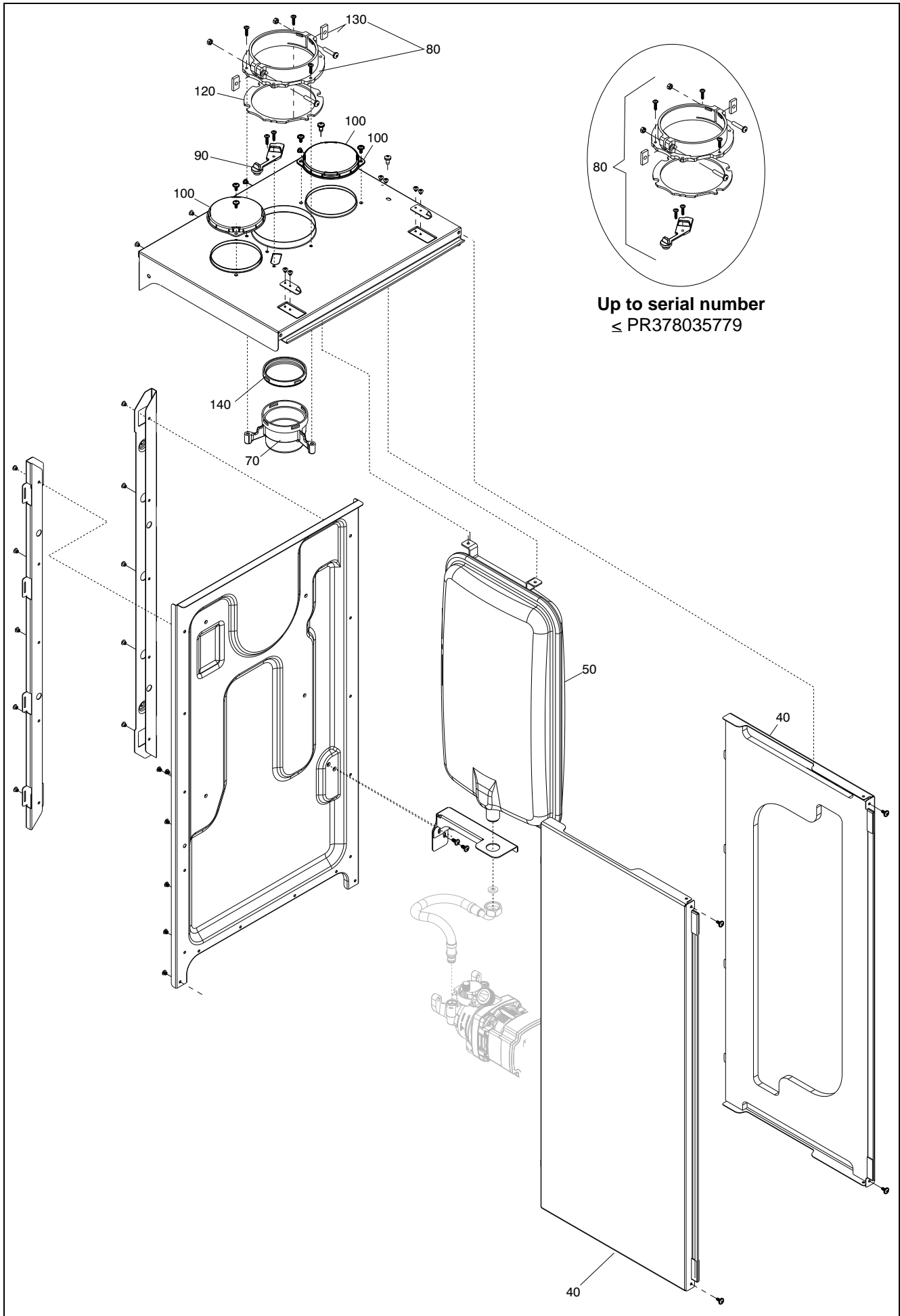
MODEL	PART NUMBER	
	MTN	GPL
Residence 30 KIS	20148496	-



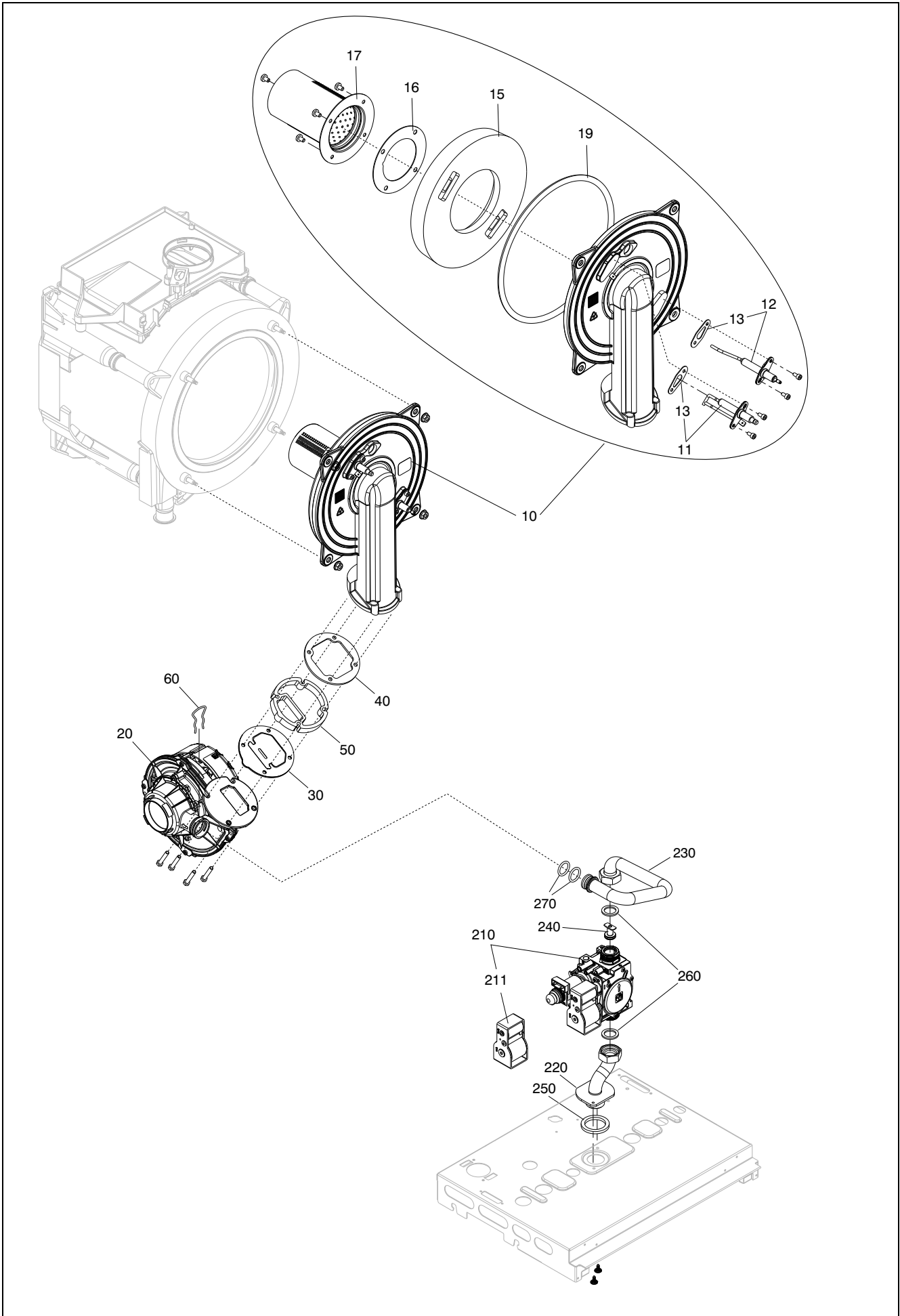
POS.	DESCRIPTION	30kis
10	Interface control panel ( $\leq$ PR150R00474)	4R108382
10	Control panel ( $\geq$ PR15R004975)	20198275
20	Instrumental panel and cover (up to serial n. $\leq$ PR02900657)	4R107839
20	Control panel	4R109975
30	Instrumental panel and cover (up to serial n. $\leq$ PR02900657)	4R107839
30	Electric parts cover (from serial n. $\geq$ PR02900658)	4R107838
50	Printed circuit board	4R106767
60	Rolling hinge	4R105512
70	Instrumental panel fastener	4R105513
90	Washer	4R105461
210	Front panel	4R105766



POS.	DESCRIPTION	30kis
20	Exchanger	4365009
30	Three-way valve	4R105459
31	Stepper actuator and cartridge	4R105515
32	Stepper actuator	4R105516
33	Clip	4R105517
40	By-pass casing	4365750
50	Filling joint	4R104664
60	Cover for by-pass assembly	4365753
80	Pipe	4365736
90	Pipe	4365733
100	Pipe	4366917
110	Pipe	4365732
120	Valve discharge pipe	4R105462
140	Quick primer pressure gauge	4R105908
150	Water gauge carrier	4R105520
160	Dhw actuator	4R100477
165	Pressure transductor	20188992
166	O-ring	4364959
170	Safety valve	4R001077
180	Non return valve	4365749
190	High head by-pass valve	4365043
200	Non return valve	4366134
220	Nipple	4365762
230	Fitting/union	4365763
260	Cock	4365752
280	Filling cock knob and washer	4R108020
290	NTC sensor	4365765
300	Flow governor	4365824
305	Clip	4364751
310	Clip	4365761
320	Clip	4365623
330	Clip	4365764
340	Clip	4365768
350	O-ring	4364282
360	O-ring	4365770
370	O-ring	4365769
380	O-ring	4365766
390	O-ring	4365406
410	Washer	4363391
430	Washer	4365771
440	Washer	4365767
730	Five positions fairlead	4R105529
740	4-pin connector	4R107480
750	Connector	4R107481

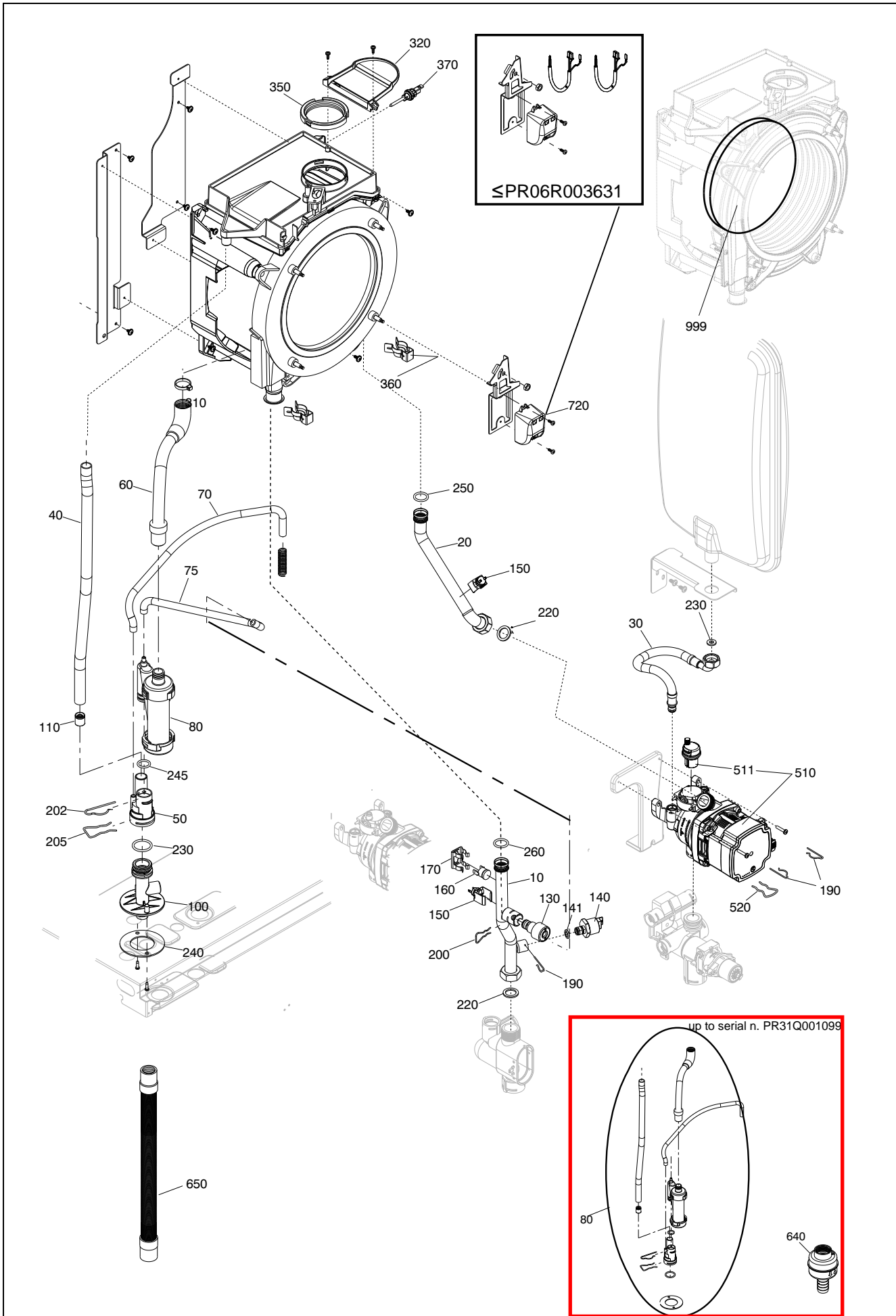


POS.	DESCRIPTION	30kis
40	Side panel	4R106938
50	9 lt. expansion tank	4R105768
70	Flue drain connection	4365881
80	Fumes flange kit (up to serial n. $\leq$ PR378035779)	4R107477
80	Fumes flange (from serial n. $\geq$ PR378035780)	4R107474
90	Cap smoke analysis	4R107476
100	Hole cover	4366888
120	Flange gasket (up to serial n. $\leq$ PR378035779)	4R105532
120	Flange gasket (from serial n. $\geq$ PR378035780)	4R107475
130	Flange gasket	4R105533
140	Washer $\varnothing$ 60	4365889

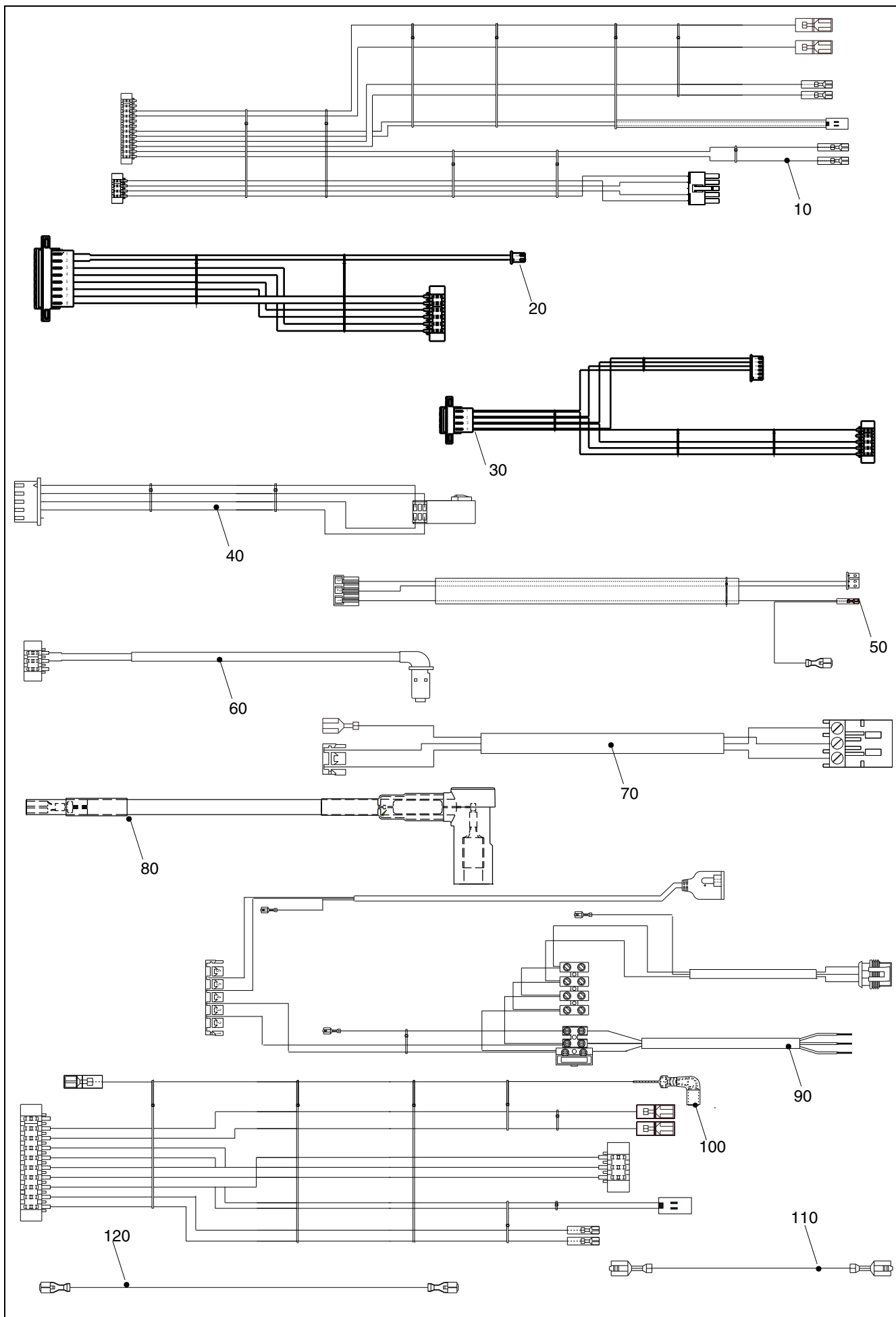




POS.	DESCRIPTION	30kis
10	Air/gas manifold (up to serial n. ≤PR36P006092)	4R105504
10	Air/gas conveyor (from serial n. ≥PR36P006093)	4R108789
11	Ignition electrode	4R105488
12	Sensing electrode	4R105484
13	Electrode seal	4R107482
15	Insulation panel (up to serial n. ≤PR36P006092)	4R108321
15	Insulation panel (from serial n. ≥PR36P006093)	4R108786
16	Seal burner	4R105492
17	Premix burner	4R105507
19	Washer	4R105485
20	Integrated fan	4R105505
30	Non return valve	4R108411
40	Washer	4R105483
50	Spacer	4R108784
60	Clip	4365764
210	Antisticking gas valve	4R105535
211	Gas valve solenoid	4R000824
220	Pipe	4R105460
230	Pipe	4R105501
240	Ø5.2 diaphragm	4R106939
250	Gasket	4R105534
260	Washer	4363389
270	Washer	4367112



POS.	DESCRIPTION	30kis
10	Pipe	4R105464
20	Pipe	4R108323
30	Flexible pipe	4R105470
40	Silicone pipe	4R109673
50	Condensation outlet (drainage) manifold	4R109666
60	Pipe	4R109670
70	Tube kit	4R105497
90	Kit siphon + pipe (up serial < PR31Q00110)	4R109915
90	Siphon (from serial ≥ PR31Q00111)	4R109674
100	Bracket	4R109671
110	Non return valve	4R109675
140	Cock	4366392
150	Temperature detector	4R109854
160	High limit thermostat	4366881
170	Clip	4363608
190	Clip	4366394
192	Clip	4364962
194	Clip	4365407
210	Washer	4363389
220	Washer	4363391
230	O ring	4R105539
240	Washer	4R109676
245	O-Ring	4R105704
250	O ring	4R106930
310	Condensing exchanger assembly (up serial < PR36P006092 )	4R109214
310	Condensing exchanger assembly (from serial ≥ PR36P006093 )	4R108787
320	Rain coat for exchanger	4R105486
350	Washer Ø 60	4366238
360	Spring pipe	4366958
370	Flue sensor	4R105463
510	6m. H3 pump	4R105549
511	Air vent bottle	4365707
520	Clip	4365764
530	Clip	4364751
640	Safety float (up serial < PR31Q00110)	4R105541
650	Condensation outlet tube	4R102771
720	Transformer (up serial < PR06R003655)	20197825
720	Ignition transformer	20202286
999	Retarder insulating panel	4R107776



POS.	DESCRIPTION	30kis
10	Combustion cable	4R106932
20	Wiring harness	4R109341
30	BUS wiring harness	4R109342
40	Three-way valve cable	4R105476
50	Flame wiring harness	20197819
60	Pump cable (PWM)	4R105542
70	Fan wiring harness	4R105474
80	Spark electrode cable	20197816
90	Power wiring harness	4R107478
100	Low tension cable	4R106927
110	Wiring harness	4R107479
120	Wiring harness	20204627

Rev.	data	Descrizione
1.0	21/09/2018	aggiunta guarnizione elettrodo tavola 4 posizione13 E00120180601 : confezione viti e tasselli – E00120180662 : cablaggi E00120180394 : valvola by pass – E00120180275 : connettori 4 poli e 8 poli E00120180453 : flangia fumi, guarnizione, tappo presa analisi (con gestione matricola)
2.0	22/01/2019	E00120180726 : pannello isolante tavola 5 pos.999 E00120180864 : cruscotto , copertura posteriore parti elettriche (con gestione matricola) E00120190022 : cablaggio collegamento utenze esterne
3.0	10/04/2019	adeguato disegno valvola sicurezza tav. 2 pos. 170 E00120190188 : rubinetto riempimento – E001201900199 : cruscotto E001201900172 : pannello frontale con fascia grigia
4.0	31/07/2019	E001201900239 : rampa , tappo silicone , tubetto silicone E00120190322 : pannello isolante flangia bruciatore
5.0	12/12/2019	E00120190331 : sostituito codice tubo scarico
6.0	28/04/2020	E00120190353 + E00120190478: clapet + distanziale
7.0	15/10/2020	E00120200342: modifica cablaggi
8.0	23/10/2020	E00120200148:convogliatore + scambiatore AISI 441
9.0	10/06/2021	corretto tav 4 pos. 15
10.0	15/10/2021	E00120210255: modifica sifone
11.0	15/11/2021	E00120210353: cruscotto
12.0	18/02/2022	E00120210457: sonda a contatto + E00120210551: posizione accenditore
13.0	09/05/2022	E00120220080: pannello controllo
14.0	13/09/2022	E00120220436: trasformatore
15.0	17/11/2022	E00120220272: trasduttore +E00120220409: cablaggio

---

# RIELLO

---

Riello reserve the right to change the specifications without prior notice.  
Consumers' statutory rights are not affected.